

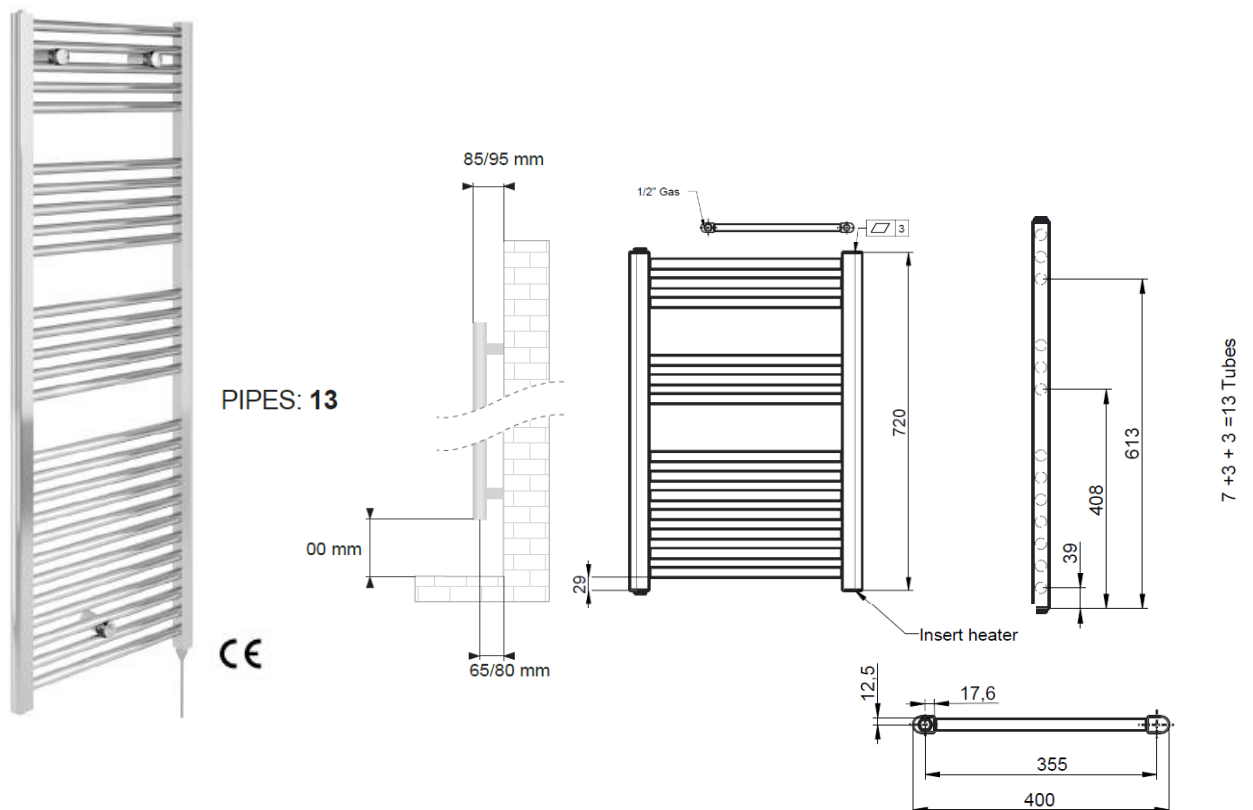
Technical Data Information

Product Code: SS22LR47ELEC

Information: 720 X 400 ELECTRIC TOWEL RAIL 200W

Overall Dimensions: H: 720 x W: 400

	straight
Material	carbon steel
Pipes - Ø	22x0,9
Collectors - mm	30x40x1,5
Wall fixings	3
Max temperature	90 °C
Packaging	Styrofoam protections + carton box
Protection rate	IP64
Electrical insulation	Class 1
Heating element protection systems	Overtemperature (cut/out) Thermal fuse



Chrome - straight

code	h mm	width mm	weight kg	heating element watt	heating element kcal/h	heating element btu	overtemperature cut/out °C	thermalfuse °C
383335	720	400	7,7	200	172	683	90	152

All Dimensions are in millimetres. The information contained on this page was correct at date of issue. Fitting dimensions are provided as a guide only. Some variation may occur due to manufacturing tolerances. We pursue a policy of continuing improvement in design and performance of our products and so reserve the right to change specifications without prior notice.