

# Technical Data Sheet

# ROPER RHODES®

Marston Pillar Mounted Bath Filler - T323202

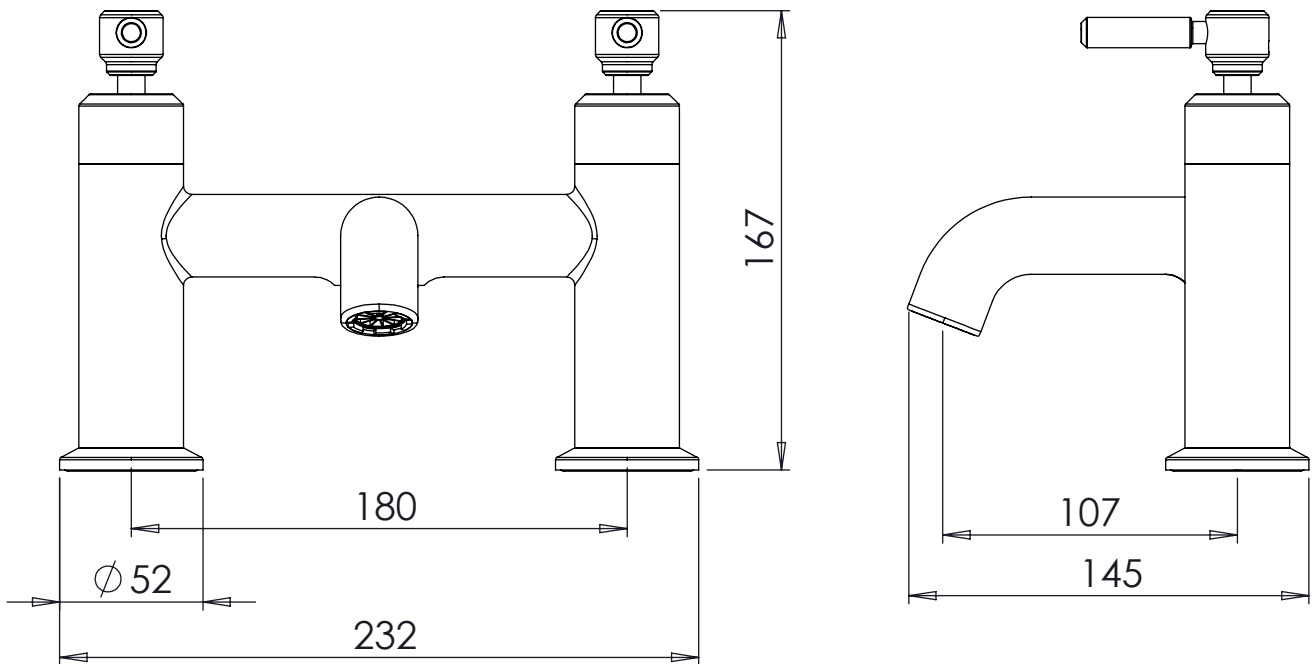
| No. | Description                        | Code  | Fixings Included |
|-----|------------------------------------|-------|------------------|
| 1   | Marston Pillar Mounted Bath Filler | TMS32 | YES              |



|               |                   |
|---------------|-------------------|
| Min Pressure: | 0.2bar            |
| 0.2bar        | 13.7 litres / min |
| 0.3bar        | 18 litres / min   |
| 0.4bar        | 21 litres / min   |
| 0.5bar        | 23.5 litres / min |
| 1bar          | 34 litres / min   |
| 2bar          | 48 litres / min   |

## Dimensions:

Diagrams not to scale. All dimensions in mm (tolerance of +/-5mm)



\*Dimensions are subject to change, customers are advised to measure actual product before commencing installation.

## FAQs

**What is the size of the bath filler threaded connection?** The threaded connectors have a standard 3/4" BSP fixing.