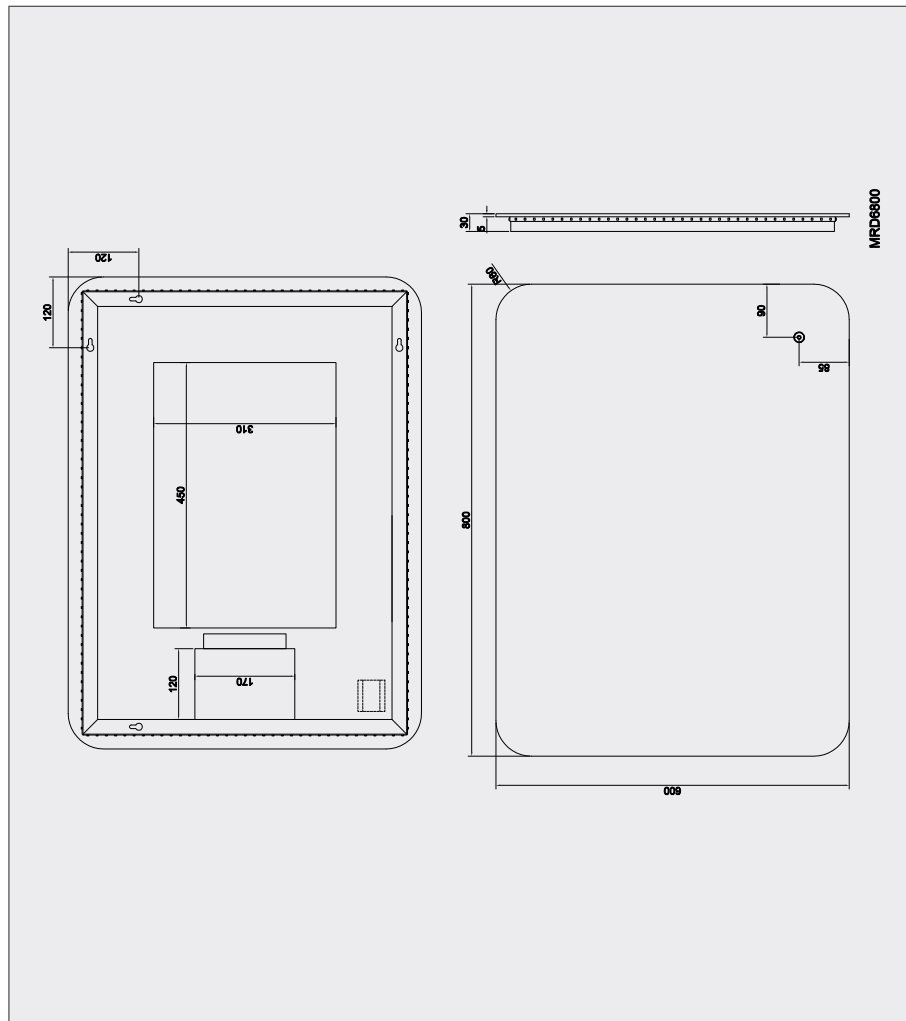


# Fuse LED Mirror - 800 x 600mm



## Fuse LED Mirror - 800 x 600mm

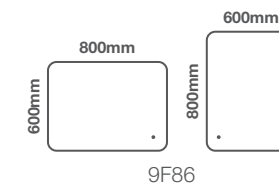
Code: 9F86

### Features

- Energy efficient LED lighting
- Heated demister pad
- Press & hold touch switch to adjust between cool and warm lighting
- Frameless mirror with controlled LED lighting
- Infrared on/off sensor
- Slimline 33mm wall projection



### Portrait or Landscape Fitting



Units 3 & 4  
16 Crawfordsburn Road  
Newtownards  
County Down BT23 4EA

Tel: +44 (0) 28 9182 8000  
Fax: +44 (0) 28 9181 2888

### Sales Enquiries

Email: [info@aquallabrassware.com](mailto:info@aquallabrassware.com)

### Technical and Aftersales Support

Email: [support@aquallabrassware.com](mailto:support@aquallabrassware.com)



[www.aquallabrassware.com](http://www.aquallabrassware.com)