



# RT LARGE

## TECHNICAL DATASHEET

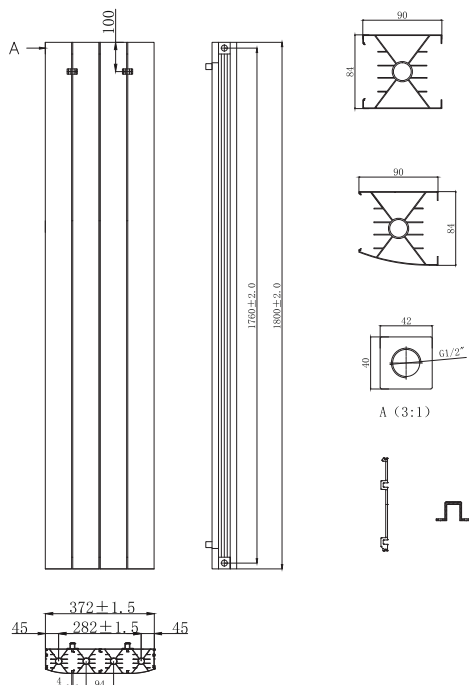
### JUPITER DOUBLE DESIGNER RADIATOR

<b>Product Code</b>	J3751800BL	<b>Barcode</b>	5391534558699
<b>Finish</b>	BLACK	<b>Ral No</b>	9011
<b>Product Type</b>	DESIGNER RADIATOR		
<b>Btu/hr output</b>	7192 at 60 C		

#### Guarantee & Aftercare

During installation extra care must be taken to avoid damaging the fittings. We provide a 10 year guarantee against faulty workmanship or materials (excluding serviceable parts), providing they have been installed, cared for and used in accordance with our instructions.

Watts	2108
Pipe centres	445mm
Max projection	117mm
Max height	1800mm
Max width	375mm



#### CUSTOMER CARE:

For further information please call +353(0)1 450 4307

RT Large & Son Ltd, Unit 2 Bluebell Industrial Estate, Dublin 12, D12 K078

Telephone: +353(0)1 450 4307 Fax: +353(0)1 450 43045 Web site: [www.rtlarge.ie](http://www.rtlarge.ie) Email: [sales@rtlarge.ie](mailto:sales@rtlarge.ie)